

127-367-190 Lawn Boss 22 (1987)
Drive Assembly

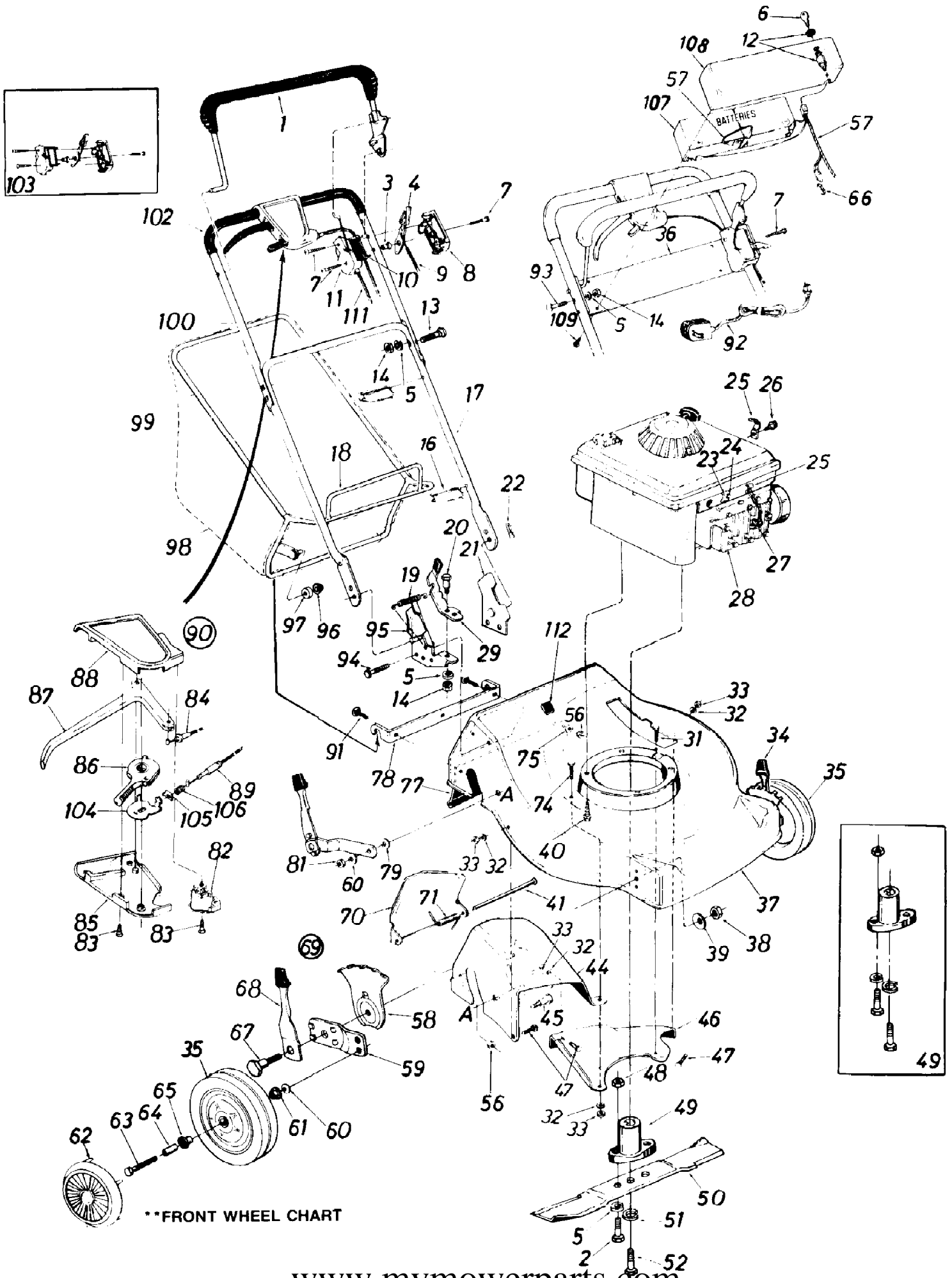
Page 2 of 6

Ref #	Part Number	Qty	S/P/F	Description
15	710-0456	1		Hex Drilling Scr. #10 x .50" Lg.
16	736-0329	1	S	L-Wash. 1/4" I.D.
17	712-0340	1		Hex Nut 3/8-24 Thd. (Special)
18	712-0287	1	S	Hex Nut 1/4-20 Thd.
19	732-0357	1	S	Extension Spring .33" O.D. x 1.12" Lg.
20	710-0599	1	/P	Hex Wash. S-Tap Scr. 1/4-20 x .50" Lg.
21	741-0248	1		Flg. Brg. .506" I.D. Plastic
22	713-0361	1	S	#48 Chain 1/2" Pitch x 38 Links (Endless)
23	713-0256	1	S	#48 Chain Pitch x 32 Links (Endless)
24	13414	1		Rear Shaft Ass'y. 20.75"
25	16097	1		Index Plate Rear L.H.
	16098	1		Index Plate Rear R.H. (Not Shown)
26	736-0326	1	S	FI-Wash. .510" I.D. x 1.0"
27	750-0190	1	/P	Spacer .740" I.D. x .83" O.D.
28	16099	1		Pivot Brkt. L.H.
	16100	1		Pivot Brkt. R.H. (Not Shown)
29	741-0324	1	S	Hex Flange Brg. .506" I.D. Plastic
30	720-0190	1	S	Spring Lever Knob
31	732-0467	1		Spring Lever
32	736-0160	1	S	FI-Wash. .531" I.D. x .930"
33	710-0352	1	/P	Hex B-Tap Scr. 1/4 x .38"
34	712-0342	1	/P	Hex Jam Nut 3/8-16 Thd.
35	736-0105	1	/P	Bell-Wash. .400" I.D. x .88"
36	738-0137	1		Shld. Bolt .342" Dia. x .268
37	10622	1	S	Spring-Nylon
38	748-0188	1	S	Pawl
39	10647	1	/P	Hub Cap
40	712-0324	1	/P	Hex Ins. L-Nut 1/4-20 Thd.
41	710-0748	1	/P	Pan Hd. Tap Scr. #12 x .50" Lg.
42	714-0115	1	S	Cotter Pin 1/8" Dia. x 1.0"
43	748-0187	1		Ratchet Wheel 1.62" O.D.
44	741-0180	1	S	FI-Ball Brg. 1/2" I.D.
45	734-1026	1	S	Wheel Ass'y. Comp. 8 x 1.75
46	710-0892	1	S	Hex L-Wash. Hd. AB-Tap Scr. 1/4 x .62" Lg.
47	736-0219	1	S	Bell-Wash. .400" I.D. x 1.13" O.D.
48	750-0387	1		Spacer .505" I.D. x .88" O.D.
49	741-0248	1		Flg. Brg. .506" I.D. Plastic
50	713-0359	1		9 and 21 Tooth Sprocket Ass'y.
51	717-0825	1		Shimano 3-Sp. Hub w/18 Tooth Sprocket
52	756-0360	1		FI-Idler Plastic 1.62" Dia.
53	738-0140	1	S	Shld. Bolt .437" Dia. x .180
54	736-0119	1	S	L-Wash. 5/16" I.D.
55	712-0267	1	S	Hex Nut 5/16-18 Thd.
56	756-0462	1		1/7" "V"-Engine Pulley .50" I.D. x 2.80") D.
57	715-0144	1		Spring Pin Splr 3/16" Dia. x 1.50" Lg
58	754-0292	1		"V"-Belt 1/2" X 26.0" Lg.
59	736-0160	1	S	FI-Wash. .531" I.D. x .930"
60	714-0115	1	S	Cotter Pin 1/8" Dia. x I.O"
62	710-0726	1	/P	Hex Wash. Hd. Tap Scr. 5/16-18 x .75" Lg.
	736-0226	1	S	FI-Wash. .469" I.D. x .88"
64	712-0340	1		Hex Nut 3/8-24 Thd. (Special)
65	717-0824	1		Shimano 3-Sp. Shift Bell Crank
66	738-0471	1		Shld. Bolt .437" Dia. x .180" Lg.

127-367-190 Lawn Boss 22 (1987)
Drive Assembly

Page 3 of 6

Ref #	Part Number	Qty	S/P/F	Description
67	717-0823	1		Shimano 3-Sp. Solid Shift Cable
68	736-0160	1	S	Fl-Wash. .531" I.D. x .930"
69	714-0111	1	S	Cotter Pin 3/32" Dia. x 1.0"
70	16304	1		3-Sp. Hub Bracket
71	13415	1		Idler Bracket Ass'y.
72	16305	1		3-Sp. Belt Cover
73	738-0255	1	S	Shld. Bolt .375" Dia. x .181
74	710-0642	1	/P	Hex TT-Tap Scr. 1/4-20 x .75" Lg.
75	746-0466	1	S	S.P. Cable-53" Lg.-Blue
76	715-0120	1	S	Spring Pin Spir. 3/16" Dia. x 1.0" Lg.
77	731-0511	1	/P	Trim Strip
78	717-0832	1		Snap Ring (Special)
79	717-0830	1		Shifting Pin (Special)
80	717-0826	1		Pulley Snap Ring (Special)
81	756-0461	1		3/2" V-Pulley 1.375" I.D. x 3.25" O.D.
82	717-0831	1		Shimano 3-Sp. Dust Cover



127-367-190 Lawn Boss 22 (1987)
Mower Assembly

Page 5 of 6

Ref #	Part Number	Qty	S/P/F	Description
1	731-0609	1		L.H. Bail Ass'y.
2	710-0888	1	/P	Hex Bolt 5/16-24 x 1.00" Lg. (Grade 5)
3	731-0524	1		Control Disc Pin
4	731-0528	1	S	Throttle Control Lever
5	736-0119	1	S	L-Wash. 5/16" I.D.*
6	725-0201	1	S	Ignition Key
7	710-0796	1	/P	Truss Mach. Hi-B Tap Scr. #12 x 1.50" Lg.
8	731-0817	1	S	Control Panel Half
9	746-0633	1	S	Throttle Control Wire 58"
10	777-5774	1		Control Label
11	731-0816	1		Clutch Panel Half
12	725-0873	1	S	Ignition Switch
13	710-0405	1	S	Carr. Bolt 5/16-18 x 1.75"
14	712-0267	1	S	Hex Nut 5/16-18 Thd.*
16	726-0241	1	S	Cable Tie
17	749-0505	1	S	Lower Handle
18	14582	1		Lower Frame Ass'y.
19	732-0357	1	S	Extension Spring
20	738-0155	1	S	Shld. Bolt .437" Dia. x .162
21	14158	1		Handle Brkt. Ass'y. L.H.
22	714-0104	1	S	Hairpin Cotter 5/16" Dia.
23	751-0442	1		Casing Clamp
24	710-0436	1	S	Hex B-Tap Scr. #10 x .62"
25	12894	1		Cable Clip
26	710-0429	1	S	Hex B-Tap Scr. #10 x .38"
27	735-0639	1	/P	Spark Plug Insulator
28		1		Engine
29	14845	1		Lock Lever w/Knob
31	710-0642	1	/P	Hex TT-Tap Scr. 1/4-20 x .5" Lg.
32	736-0329	1	S	L-Wash. 1/4" I.D.*
33	712-0287	1	S	Hex Nut 1/4-20 Thd.*
34	14579	1		Height Adj. Ass'y. L.H.
35		1		** Front Wheel Ass'y. Comp.
36	16542	1		Lower Battery Tray
37	16327	1		22" Deck Ass'y.
38	712-0798	1	/P	Hex Nut 3/8-16 Thd.*
39	736-0356	1	S	Bell-Wash. .39" I.D. x 1.38"
40	710-0654	1	S	Hex Wash. Hd. TT-Tap Scr. 3/8-16 x 1.0" Lg.
41	738-0386	1		Hinge Pin
44	14236	1		Rear Chute R.H.
45	738-0430	1		Shld. Bolt.500" Dia.
46	14014	1		Rear Baffle L.H.
47	710-0167	1	/P	Carr. Bolt 1/4-20 x .50" Lg.*
48	712-0123	1	/P	Hex Nut 5/16-24 Thd.*
49	753-0348	1		Blade Adapter Kit
50	742-0125	1	S	22" Blade
51	736-0217	1	S	L-Wash. 3/8" I.D. H.D.
52	710-0331	1	/P	Hex Bolt 3/8-24 x 2.25" Lg. (Grade 5)
56	712-0271	1	/P	Hex Sems Nut 1/4-20 Thd.
57	725-1230	1		Wire Harness
58	15261	1	S	Height Adj. Plate
59	15262	1	S	Wheel Pivot Bar
60	736-0105	1		Hex Bolt 5/16-24 x 1.00" I.D. x .88"

Ref #	Part Number	Qty	S/P/F	Description
61	741-0267	1		Flg. Ball Brg. 318" I.D.
62	731-0124	1		Plastic Hub Cap
63	710-0347	1	/P	Hex Bn It 3/8-16 x 1.75" Lg.
64	750-0434	1	/P	Spacer.375" I.D.
65	741-0484	1	S	Flg. Ball Brg. 1/2" I.D.
66	725-1206	1	S	Plug
67	738-0507	1	S	Shld. Bolt .50" Dia. x .430
68	14832	1	S	Spring Lever Ass'y. w/Knob
69	14578	1	/P	Height Adj. Ass'y. R.H.
70	13407	1		Chute Door
71	732-0346	1		Torsion Spring
74	710-0206	1	/P	Hex Bolt 1/4-20 x .88" Lg.
75	736-0211	1	S	FI-Wash. .285" I.D. x 1.25"
77	731-0664	1	/P	Rear Flap
78	14012	1		Grass Catcher Hitch Brkt.
79	736-0219	1	S	Bell-Wash. .40" I.D. x 1.13
81	712-0342	1	/P	Hex Jam Nut 3/8-16 Thd.
82	731-0763	1		Cable Mounting Cap
83	710-0841	1	/P	Flat "C"-Sunk Hd. Tap Scr. #10 x .75" Lg.
84	746-0466	1	S	S.P. Cable x 53" Lg.
85	731-0762	1	/P	3-Sp. S.P. Control Lower Cover
86	717-0822	1		Shimano 3-Sp. Shift Lever
87	731-0620	1	S	Control Lever
88	731-0761	1	/P	3-Sp. S.P. Control Upper Cover
89	717-0823	1		Shimano 3-Sp. Solid Shift Cable
90	753-0417	1		Clutch Control Hsg. Comp.
91	710-0703	1	/P	Carr. Bolt 1/4-20 x .75" Lg.*
92	725-0727	1	S	Battery Charger
93	710-0671	1	S	Carr. Bolt 5/16-18 x 1.38"
94	710-0412	1	/P	Hex Bolt 1/4-28 x .75" Lg.
95	14752	1		Handle Brkt. Ass'y. R.H.
96	726-0100	1	S	Push Nut 3/8" Rod
97	731-0430	1		Plastic Roller
98	764-0171	1	S	Grass Bag
99	749-0278	1		Catcher Upper Frame
100	749-0437	1		Upper Handle
102	718-0145	1		Grip
103	753-0431	1		Control Housing Comp.
104	717-0827	1		Shimano 3-Sp. Shift Lever Brkt.
105	717-0829	1		Shimano 3-Sp. Cable Spring Brkt.
106	717-0828	1		Shimano 3-Sp. Cabel Mounting Spring
107	725-1105	1		Battery Pack
108	731-0809	1		Battery Tray
109	710-0969	1	/P	Truss Mach. Hi-Riser Tap Scr. 1" Lg.
111	746-0477	1	S	Clutch Control Cable 45"
112	731-0564	1		Plug
	8367-000-7	1		Hardware Pack